

Optical Beam Shutter Line

Solenoid Technology

Shutter D16 D1002

Miniature Optical Shutter D1

In the field of optical safety technology, Kendrion offers a compact miniature shutter based on our smallest rotary solenoid D1. This shutter is characterized by its high reliability and long lifetime of 10 million switching cycles. In addition, this shutter has a fast closing time from under 20 ms.

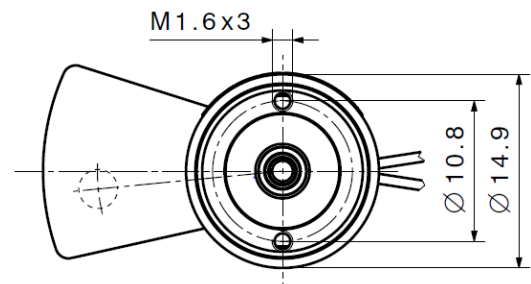
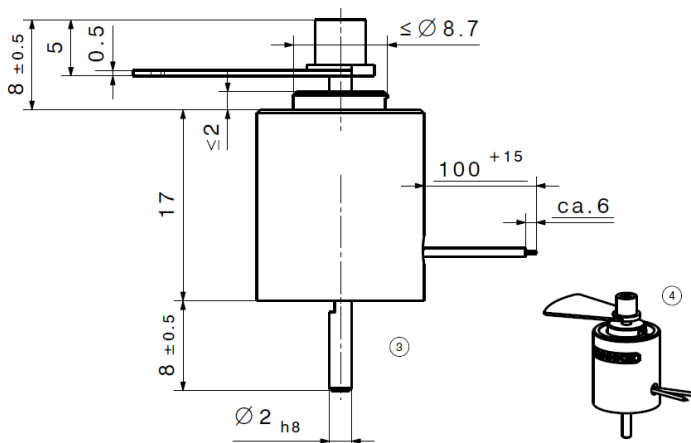
Due to the simple control, the D16 shutter is suitable for a variety of applications for interrupting light beams.

As a manufacturer of shutters and rotary solenoids for laser applications, Kendrion has developed a wealth of experience and individual solutions for customer applications.



Characteristics

- High lifetime
- Fast closing time
- Simple control
- Flexibility for customization



Technical data ¹	Shutter D16 / self-restoring
Power supply	12 V DC (other voltages on request)
Diameter magnet	14.9 mm
Rotary angle	65° (other angles 25°, 35°, 45° und 95° on request)
Closing time	≤ 20 ms
Switching frequency	up to 5 Hz
Mechanical durability	10 mio. switching cycles
Operating temperature	-5 °C... +35 °C
Blade material	Polyamid (other on request)
Mounting	Mounting holes

¹We reserve the rights of modification, omission, error with respect to the products. Illustrations similar. All rights reserved by the individual copyright holders.